

GROUND

RP1-S/M/L/XL

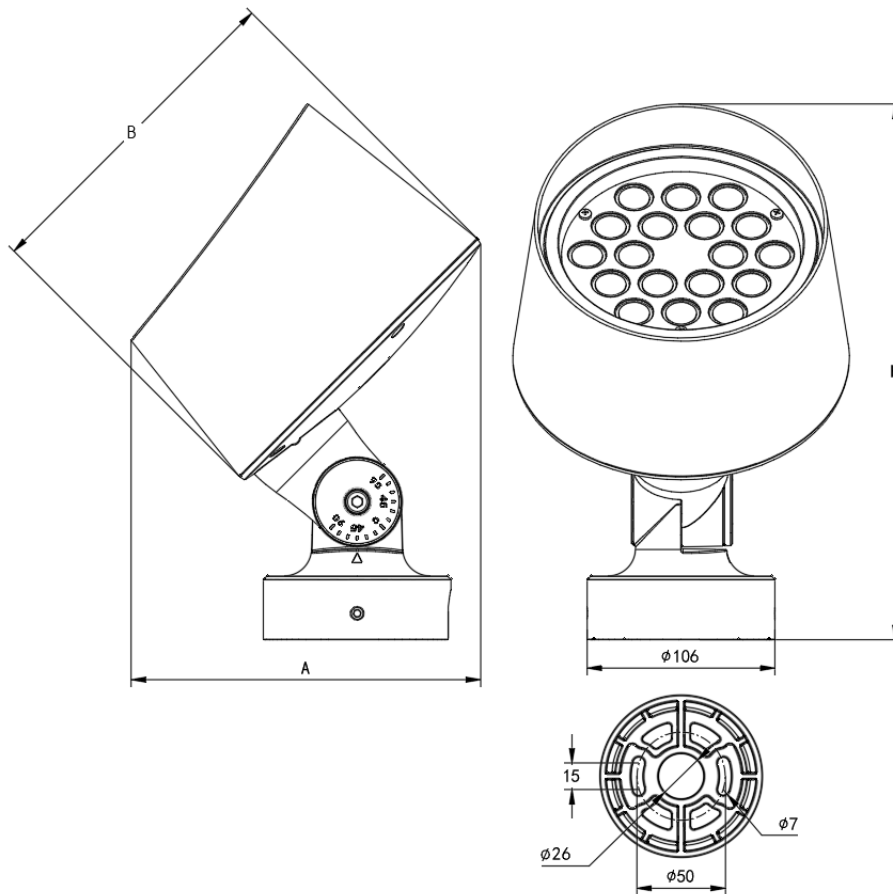


Installation & operating manual

WARNING:

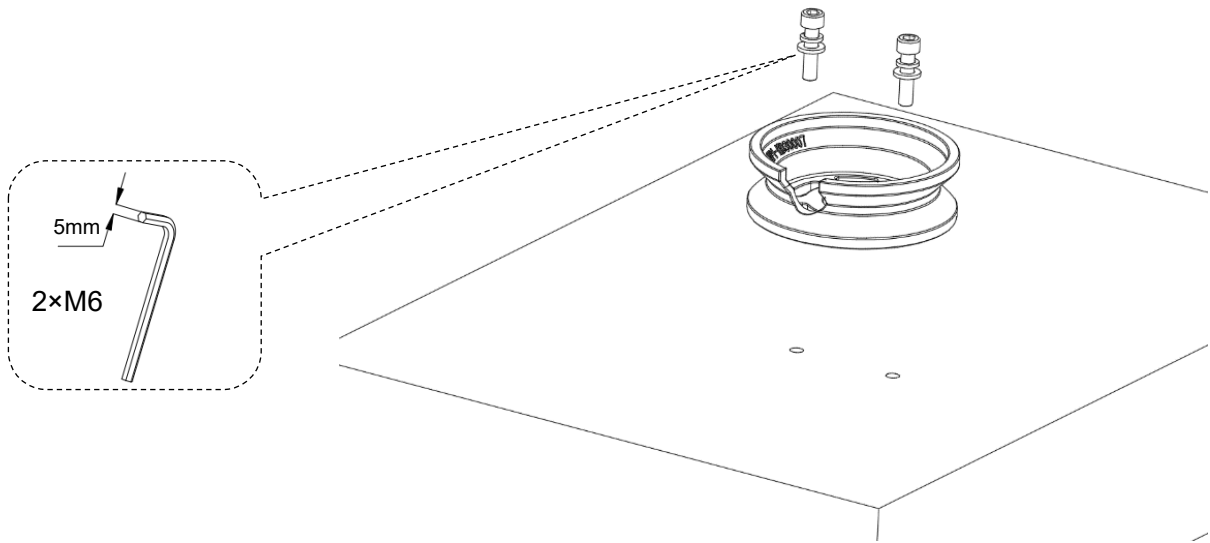
1. The safety of this fixture is guaranteed only if you comply with these instructions; remember to conserve a safe place.
2. Before opening the package, please check if there's damage or defect during transportation, if damage occurs, please don't use it and inform your supplier immediately. Please do not attempt to use a damaged product.
3. The product should be installed, dismantled and maintained by a qualified electrician; Suppliers don't take charge of any problems or damages that occur due to mishandling such as an operation not permitted in this manual.
4. Be certain electrical power is OFF before and during installation and maintenance.
5. Caution, risk of electric shock. ⚠
6. The light source of this luminaire is not replaceable; when the light source reaches its end of life the whole luminaire shall be replaced

1 Dimensions

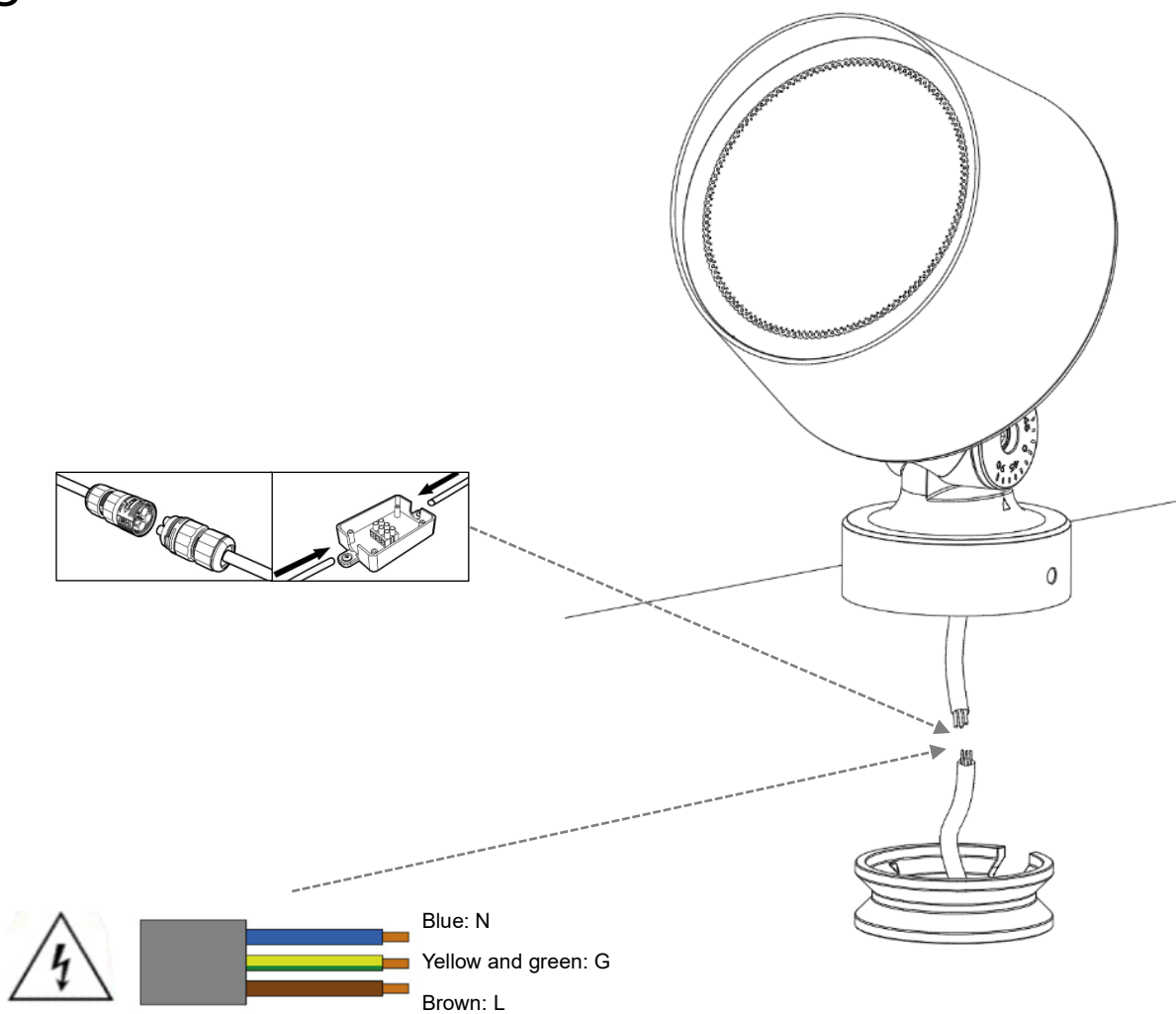


SIZE	A	B	H	Weight	Fixed height	Projected area
S	171	160	275	2.6Kg	15m	0.025m ²
M	197	190	302.5	3.7Kg	15m	0.03 m ²
L	230	230	333.6	5.1Kg	15m	0.036 m ²
XL	275.8	280	373.6	7.6Kg	15m	0.046 m ²

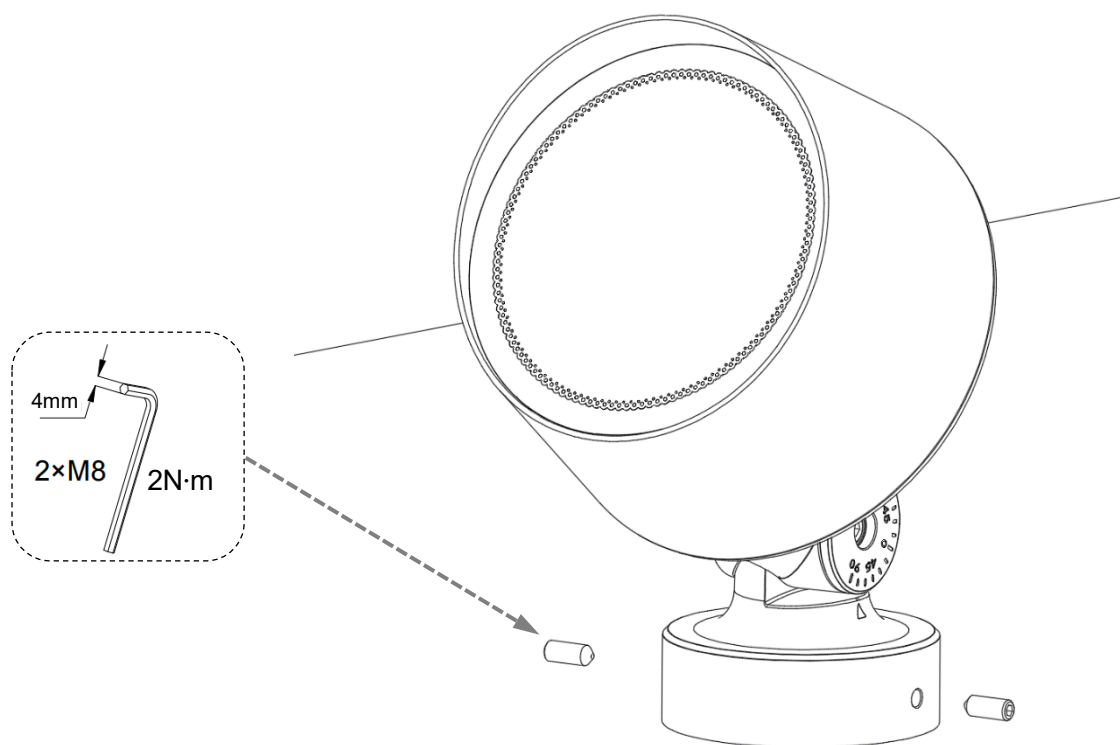
2 Mounting Flange



3 Connects Cables



4 Lamp Installation



5 Adjust Angle

